

Data Sheet

DHF 13 C AU | DHF 15 C AU

Instantaneous 3 Phase Electric Water Heater

German engineered hot water on demand.

Only available in New South Wales

STIEBEL ELTRON

Technik zum Wohlfühlen



The advantages

- › Made in Germany
- › Hydraulically controlled
- › No flue, ventilation or safe tray required
- › Compact design for space saving installation flexibility
- › Available in two electrical sizes:
 - › DHF 13 - 14.2kW, 19.7 Amps per phase, three phase 415V
 - › DHF 15 - 16.1kW, 22.5 Amps per phase, three phase 415V
- › WaterMark approved, licence number WMKA00301, AS3498



PLEASE NOTE: The DHF C AU SERIES superseded the DHF SERIES.

Ideal installation areas*

- › Apartments or house (replacement unit for certain types of pre-existing 3 phase water heaters in New South Wales)

For more information on the right Stiebel Eltron water heater for your project please contact our Technical Services Department on free call 1800 153 351 (Australia).

*Dependent on model selected

Data Sheet

DHF 13 C AU | DHF 15 C AU

Instantaneous 3 Phase Electric Water Heater

German engineered hot water on demand.

Only available in New South Wales

STIEBEL ELTRON

Technik zum Wohlfühlen

3 PHASE ELECTRIC

Model number	DHF 13 C AU*	DHF 15 C AU*
Rated output (415V)	14.2kW	16.1kW
Rated current (415V)	19.7 Amp	22.5 Amp
Phases	3/PE	3/PE
Electrical installation	As per AS/NZS3000	
Installation requirements	AS/NZS3500.4.2 & local requirements	
Normal output (dial selection) (415V)	Position ●: 7.1kW, Position ●●: 14.2kW	Position ●: 8.05kW, Position ●●: 16.1kW
Switch on flow rate	Half power 3L/min, Full Power 4.5L/min	Half power 3L/min, Full Power 4.5L/min
Permissible operating pressure	1000 kPa	1000 kPa
Flow rate limiter L/min	6.5	6.5
Temperature adjustment	N/A	N/A
IP Rating	IP24	IP24
Height	370 mm	370 mm
Width	220 mm	220 mm
Depth	130 mm	130 mm
Weight	4 kg	4 kg
Colour	white	white
Nominal capacity	0.6L	0.6L
Approvals	WaterMark Lic No. WMKA00301. AS3498	
Equipment		
For one/several draw off points	Yes / Yes	Yes / Yes
Heating element	Copper Tubular	Copper Tubular

PLEASE NOTE: Check with a qualified tradesperson to determine which Stiebel Eltron model is suitable for replacement of your existing water heater.

Selecting the right Stiebel Eltron instantaneous water heater

Thank you for considering the Stiebel Eltron instantaneous water heater, with over 90 years of hot water technology experience we are sure you will be happy with your choice of a Stiebel Eltron instantaneous water heater.

The temperature rise table will assist you in determining the appropriate size of instantaneous water heater required for your application. The required temperatures at specific flow rates will determine the size of system needed. Our customer support representatives can be contacted on our free call number 1800 153 351 to assist in selecting the appropriate system/systems for your project.

Installation close to the point of use

The Stiebel Eltron DHF instant water heaters compact design allows for ease of installation close to the point of use. In order to minimise thermal losses in the pipe work the water heater should be installed as close to the point of use as possible.

Electrical installation

This water heater must be installed in accordance with AS/NZS3000 electrical regulations by a qualified installer.

Plumbing installation

This water heater must be installed in accordance with AS/NZS3500.4.2 and local authority regulations by a qualified installer.

Warranty

For full warranty information please visit www.stiebel.com.au.

Technical Support

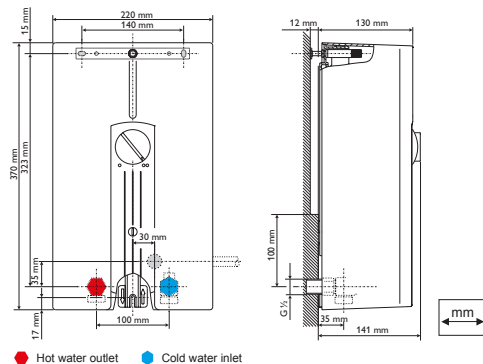
Stiebel Eltron (Aust) Pty Ltd
Free Call (Australia): 1800 153 351
Telephone: (03) 9645 1833
Website: stiebel.com.au

Temperature rise chart^	DHF 13 C-AU*	DHF 15 C-AU*
Add the below temperature to the cold water inlet temperature.		
6L/min	35°C	38°C
8L/min^^	26°C	29°C
10L/min^^	21°C	23°C
12L/min^^	17°C	19°C
14L/min	-	-

^Please note temperature rise is based on connection to 415V

* The DHF is only available in New South Wales ^^ This will be a mixed volume of water at the outlet.

DHF C AU instantaneous 3 phase electric water heater



STIEBEL ELTRON is committed to our policy of continual improvement, some features may have subsequently been changed or even removed. Our advisors will be happy to consult with you regarding the currently applicable equipment features. The images used in this brochure are for reference only.