

NEW RHEEM CONTINUOUS FLOW GAS HOT WATER



GAS

6★
ENERGY
RATING

1-6
PEOPLE

12-27
L/MIN
CAPACITY²

10 YEAR
HEAT EXCHANGER
WARRANTY¹



A New Standard in Continuous Flow
– new look, more features



COMES ON STEADY, HOT AND STRONG

INSTALL A



NEW RHEEM CONTINUOUS FLOW GAS HOT WATER

CONTINUOUS HOT WATER WHEN YOU NEED IT

Continuous Flow gas water heaters deliver hot water that will never run out as they heat water when you need it, for as long as you need it. Continuous Flow water heaters work differently to storage water heaters, heating only on demand rather than heating and storing water until needed.

Choose the right capacity for your home.

Your Rheem will be serving you for many years so make sure you choose the right capacity to meet your needs now and as your family grows:

MODEL	RHEEM 12	RHEEM 16	RHEEM 20	RHEEM 26	RHEEM 27
Hot Water Flow Rate at 25°C Temp Rise ²	12L/Min	16L/Min	20L/Min	26L/Min	27L/Min
No. of Bathrooms: Moderate Climate	1	1.5	2	2.5	3
No. of Bathrooms: Cool Climate	1	1	1.5	2	2.5



Rheem offers more models and features with the performance you expect.

- 6 Star efficiency
- 10 Year Heat Exchanger warranty¹
- Sleek design, in modern, designer colour:
 - with concealed screws for a clean look (12L-26L)
- 50°C factory pre-set models available for greater safety – adjustable at installation for hotter water at the tap³
- Digital OK monitor:
 - Displays the error code should a fault occur
 - Shows your set hot water temperature when operating (12L-26L)
- Compact (even better for small spaces)
- Improved hot water flow delivery at cold start up (while also saving water)
- More flexible (so it's installable in more places):
 - Just 2L/minute minimum operating water flow
 - Minimum water supply pressure 120kPa (27L: 140kPa)
 - Maximum water supply pressure 1,000kPa
- Rheem Flue Diverter compatible⁴:
 - Stainless Steel diverters with heat shield for added safety
 - Standard (12L, 16L or 26L) or Extended Flue Diverters (26L)
- Flamesafe[®] overheat protection, automatically shuts down your water heater should it overheat
- Rheem EZ Link[®] compatible, so two units can be linked for up to 54L/minute delivery
- Rheem Q Factor[®] equipped, for hot water with minimal fluctuation when multiple taps demand hot water
- Optional Remote Temperature Controllers for convenience in setting the safest temperature
- Solar ready - 70°C capable models in 20L, 26L or 27L capacity (when set to 70°C) are solar system compatible without the need for special fittings⁵
- Frost protected to -20°C
- Internal model available with a matched flue system (27L only)
- Available in Natural Gas or Propane

REMOTE TEMPERATURE CONTROLLERS PUT YOU IN CONTROL

Rheem Standard and Deluxe Electronic Temperature Controllers allow you to choose the exact temperature you need.

Bathroom Controllers can be set up to 50°C for added safety. Deluxe Controllers offer a 'bath fill' mode, turning off the water once your pre-set volume is delivered.



Recess boxes and Pipe covers.

Recess Box

Your Rheem water heater can be neatly set into the wall to save even more space, using a recess box.

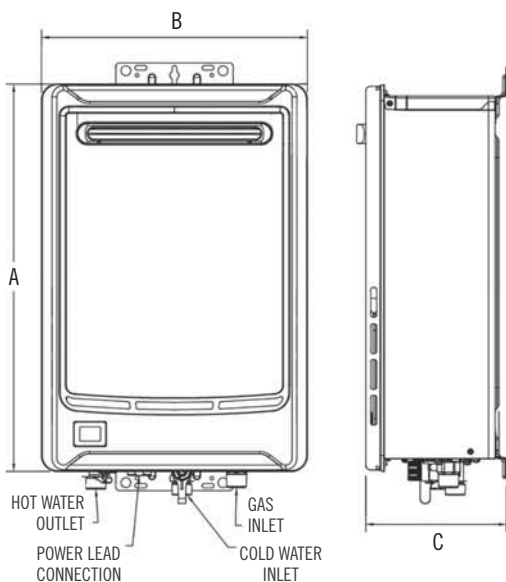
Pipe Cover

Alternatively you can use a Rheem pipe cover in matching colour to hide all pipework.

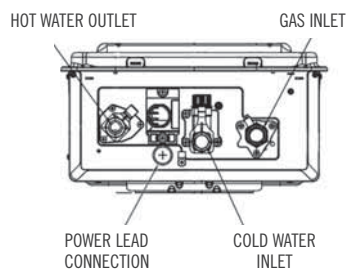


RHEEM CONTINUOUS FLOW PRODUCT DATA

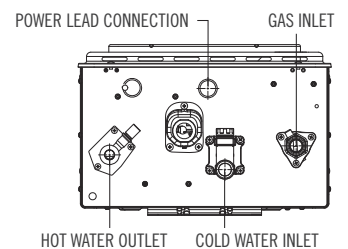
	Rheem 12		Rheem 16		Rheem 20		Rheem 26		Rheem 27		Rheem 27 INTERNAL	
Model Number	876812NF/PF	874812NF/PF	876T16NF/PF	874T16NF/PF	876820NF/PF	874820NF/PF	876T26NF/PF	874T26NF/PF	876627NF/PF	874627NF/PF	866627NF	864627NF
Maximum Temperature °C	50	60	50	60	50	60	50	60	50	60	50	60
Number of Bathrooms	1		1 – 1.5		1.5 – 2		2 – 2.5		2.5 – 3		2.5 – 3	
Gas Type	Natural Gas/Propane		Natural Gas/Propane		Natural Gas/Propane		Natural Gas/Propane		Natural Gas/Propane		Natural Gas	
GAS Energy Rating ★	6.0 Stars		6.0 Stars		6.0 Stars		6.0 Stars		6.0 Stars		6.0 Stars	
Flow Rate L/Min at 25°C Rise ²	12L/Min		16L/Min		20L/Min		26L/Min		27L/Min		27L/Min	
Minimum Operating Flow Rate	2.0L/Min		2.0L/Min		2.0L/Min		2.0L/Min		2.0L/Min		2.0L/Min	
Nominal Gas Consumption	94 MJ/Hr		126 MJ/Hr		157 MJ/Hr		199 MJ/Hr		205 MJ/Hr		205 MJ/Hr	
Dimensions												
A - Height mm	520		520		520		520		600		650	
B - Width mm	355		355		355		355		350		350	
C - Depth mm	187		187		187		187		225		250	
Depth – from wall to Hot Water Outlet	87		87		87		87		84		107	
Depth – from wall to Cold Water Inlet	68		68		68		68		64		86	
Depth – from wall to Gas Inlet	77		77		77		77		97		119	
Weight (empty)	16kg		16kg		16kg		16kg		23kg		24kg	
Max. Water Supply Pressure	1000kPa		1000kPa		1000kPa		1000kPa		1000kPa		1000kPa	
Min. Water Supply Pressure	120kPa		120kPa		120kPa		120kPa		140kPa		140kPa	
Cold Water Connection	R ¾		R ¾		R ¾		R ¾		R ¾		R ¾	
Hot Water Connection	R ¾		R ¾		R ¾		R ¾		R ¾		R ¾	
Gas Inlet	R ¾		R ¾		R ¾		R ¾		R ¾		R ¾	
Temperature Controllers												
Kitchen	299850		299850		299850		299850		299850		299850	
Bathroom 1	299851		299851		299851		299851		299851		299851	
Bathroom 2	299852		299852		299852		299852		299852		299852	
Deluxe Temperature Controllers												
Kitchen	299858		299858		299858		299858		299858		299858	
Bathroom 1	299859		299859		299859		299859		299859		299859	
Bathroom 2	299860		299860		299860		299860		299860		299860	
Accessories												
Pipe Cover	299426		299426		299426		299426		299425		-	
Recess Box	299842		299842		299842		299842		299831		-	
Rheem EZ Link Kit	299291		299291		299291		299291		299291		299291	
Wall Mount Security Kit	299868		299868		299868		299868		299868		299868	
Security Cage	299867		299867		299867		299867		299867		-	
Flue Diverter (Standard)	299287		299287		-		299287		-		-	
Flue Diverter (Extended)	-		-		-		299285		-		-	



RHEEM 12/16/20/26



RHEEM 27



- Warranty conditions: 10 Years parts and 3 Years labour on Heat Exchanger, 3 Years parts and labour on other components when installed in a domestic dwelling. For all other installations, warranty period is 1 Year parts and labour on Heat Exchanger and other components. Conditions apply. See the Rheem warranty set out in the Owner's Guide & Installation Instructions or view at www.rheem.com.au/warranty.
- Guide only, subject to ambient water temperature and pressure and correct pipe sizing.
- 50°C factory pre-set models supply hot water at a maximum 50°C to all outlets in accordance with AS 3498. Some applications may require tempering, refer to AS/NZS 3500.4. 60°C and higher temperature models must have a tempering valve installed in accordance with AS/NZS 3500.4.
- Confirm with your local authorities that the installation complies with all regulations applicable in your area. Refer to your State or Territory gazetted regulation revision of AS/NZS 5601-XXXX to ensure compliance. Rheem Flue Diverters must only be fitted to these models: 876812NF/874812NF/874T16NF/876T16NF/874T26NF/876T26NF. They must not be fitted to any other models, as this may create an unsafe operating condition.
- Gas solar boosters must be set to 70°C at installation and for operation to comply with applicable regulations. Information current as at March 2018. Materials and data are subject to change without notice.

© Registered Trademark of Rheem Australia Pty Ltd
 ™ Trademark of Rheem Australia Pty Ltd
 ™ Trademark of SAI Global

Rheem Australia Pty Ltd.

1 Alan Street, Rydalmere, New South Wales 2116, Australia
 PO Box 7508, Silverwater, New South Wales 2128, Australia.

