

# MORE CAPACITY FOR MULTIPLE OUTLETS



## Now available in a large 32L/min capacity

With its large capacity, high flow heat exchanger, the Dux Always Hot 32L really delivers, even for larger hot water loads.



# MORE HOT WATER FOR WHEN YOU NEED IT

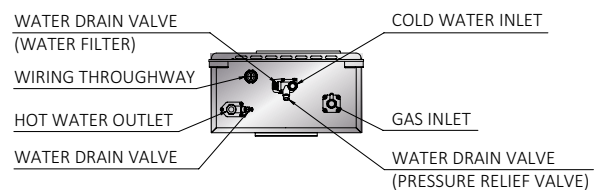
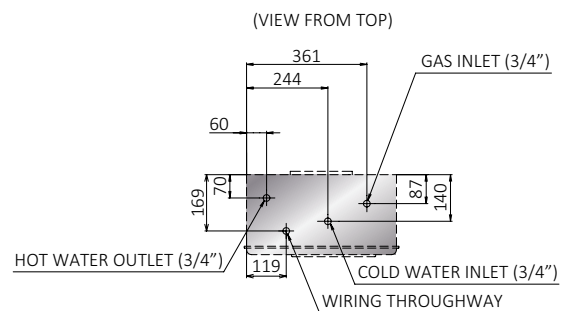
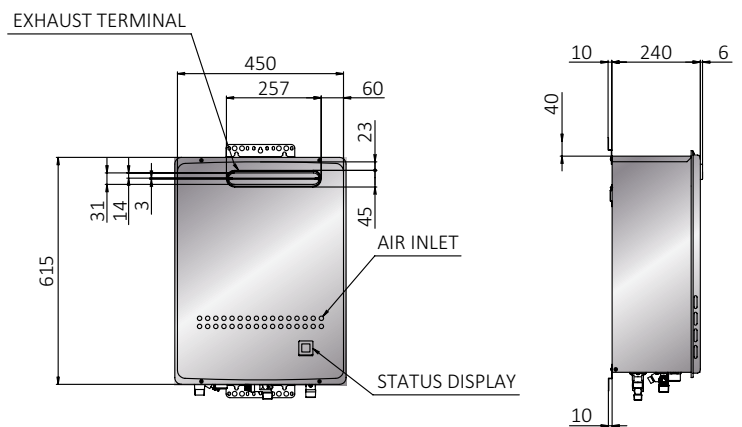
The Dux Always Hot range has expanded to include a 32L/min continuous flow model. Boasting a high flow heat exchanger, it's designed to provide hot water that never runs out and the ability to service multiple outlets, all at the same time.

The 32L/min features a 5.8 star efficiency rating and is available in both natural gas & LPG models. There is a choice of temperature locked 50°C models, or up to 75°C maximum temperature settings on untempered models.

Superior technology straight from Noritz, a leading Japanese manufacturer of continuous flow water heaters, the new 32L/min model delivers high performance and lasting durability in a compact package. It's backed by a 12 year heat exchanger warranty including 3 years parts and labour\*.



NON CONDENSING MODEL SPECIFICATION		
Model Number - up to 50°C	32END5N	32END5L
Model Number - up to 75°C	32END6N	32END6L
Gas Type	NG	LPG
Flow rate (L/min @ 25°C rise)	32	
Installation	Outdoor, Wall Mounted	
Min. Operating Flow Rate (L/min)	2.0	
Gas Consumption MJ/h - NG	250	
Gas Consumption MJ/h - LPG	250	
Star Rating	5.8	
Weight (kg)	30	
Max Water Supply Pressure (kPa)	1000	
Min Water Supply Pressure (kPa)	200	
Cold Water Connection (mm)	20mm 3/4"	
Hot Water Connection (mm)	20mm 3/4"	
Gas Connection (mm)	20mm 3/4"	



32L ACCESSORIES TABLE	PART NUMBER
Pipe Cover	CF-H32-K450
Recess Box	RBM5
Flue Diverter (Upward)	CFC28
Flue Diverter (Horizontal)	CF-L7
CONTROLLER ACCESSORIES: STANDARD INSTALLATION Not connected to recirculation or with a quick connect cable	
Residential Main Temperature Controller	CM1D
Bathroom 1 Temperature Controller	CB1D
Bathroom 2 Temperature Controller	CB2D
CONTROLLER ACCESSORIES: When connected to recirculation, or using a quick connect cable	
Remote Controller	CF-KRC-9018C
Bathroom 2 Temperature Controller	CB2D
Quick Connect Cord (2M) - <b>Must be used in conjunction with CF-KRC-9018C</b>	CF-0706377

\*Warranty terms and conditions are in the Owner's Manual. A 12 year heat exchanger and 3 years parts and labour warranty applies for single family dwellings (without recirculation). A 5 year heat exchanger and 3 years parts and labour warranty applies for single family dwellings fitted with recirculation and on a timer. All other applications receive a 12 month warranty.

The information supplied was correct at time of printing. Specification and materials may change without notice. 0320

